

(12) UK Patent Application (19) GB (11) 2 390 014 (13) A

(43) Date of A Publication 31.12.2003

(21) Application No: 0215011.8

(22) Date of Filing: 28.06.2002

(71) Applicant(s):  
Patricia Webster  
11 Flint Close, ATHERSTONE,  
Warwickshire, CV9 3AN, United Kingdom

(72) Inventor(s):  
Patricia Webster

(74) Agent and/or Address for Service:  
Patricia Webster  
11 Flint Close, ATHERSTONE,  
Warwickshire, CV9 3AN, United Kingdom

(51) INT CL<sup>7</sup>:  
A46B 11/02

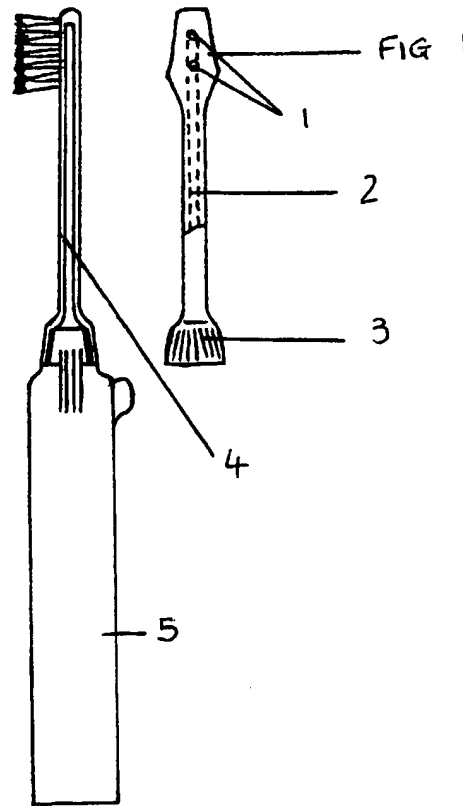
(52) UK CL (Edition V):  
A4K KBA K155 K158 K161  
U1S S1125

(56) Documents Cited:  
GB 2284982 A GB 2201887 A  
GB 2172796 A GB 2070922 A  
WO 1999/023911 A US 4288169 A

(58) Field of Search:  
UK CL (Edition T ) A4K KBA  
INT CL<sup>7</sup> A46B 11/00 11/02  
Other:

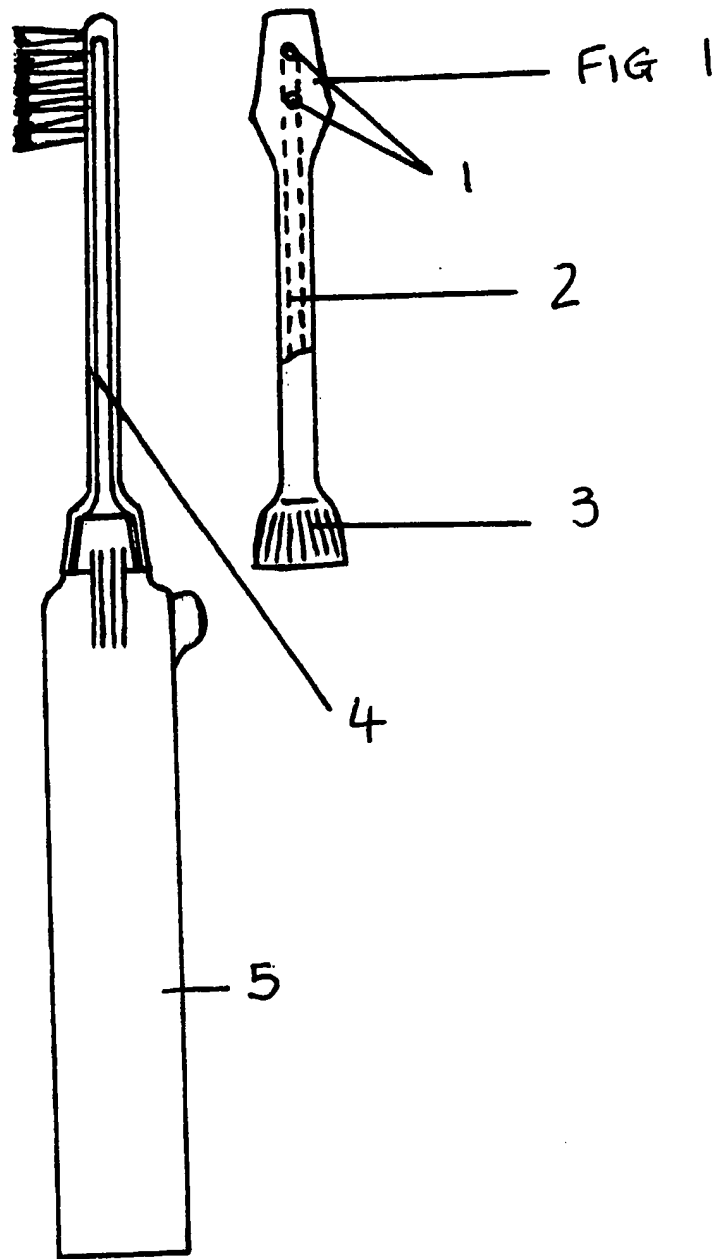
(54) Abstract Title: Toothbrush with cleaning agent dispensed at the bristle head

(57) A toothbrush that attaches to a toothpaste dispenser is made up of a stem and a head. A channel 2 runs through the length of the stem and into the head where it has one or more release holes 1 amongst the bristles. The brush is attached to toothpaste dispenser 5 by a screw or clip fastening. Any pump-action dispenser may be attached, forcing the cleaning agent up through the stem and out through the bristles in the head. The toothbrush is made of plastic.



GB 2 390 014 A

1/1



1  
**EASY SQUEEZY**

The invention relates to a toothbrush. This stem and head allows the toothpaste to pump through a channel in the stem of the toothbrush and out through two holes in the head of the toothbrush between the bristles.

There are many other toothbrushes but the disadvantages are having to share toothpaste tubes, making it less hygienic. Plus two hands are required, as the brush and paste are two separate items. This means trying to balance the toothpaste on top of the bristles and often results in the paste falling off.

The object of this invention is to provide a toothbrush that can be used to incorporate both toothpaste and brush control in one action, simplifying the process.

Preferably the toothbrush would be made of plastic, similar to the toothbrushes, which are already in circulation at the moment.

Accordingly, this invention provides a toothbrush that will be more manageable to use, more personalised, as there is no 'sharing' toothpastes, and easier action.

A preferred embodiment of the invention will now be described with reference to the accompanying drawings in which:

FIGURE 1 shows the plastic stem and the head of the toothbrush from the front view

As shown in Figure 1 the toothbrush comprises of a toothbrush stem and head,

1 being the hole/holes by which the toothpaste is allowed to exit between the bristles.

2 shows an inside view of the channel through which the toothpaste pumps to exit out of 1.

3 is the screw/clip, which will connect the stem and head of the toothbrush to any modified toothpaste dispenser.

4 shows the plastic stem, head and the bristles of the toothbrush from the side view.

5 shows a pump action dispenser, which would be required to work in conjunction with the toothbrush (Fig.1).

**CLAIMS**

1. **A toothbrush that allows the toothpaste to be pumped through a channel which is in the stem of the toothbrush, which in turn allows the toothpaste to be released through one or more holes in the head of the toothbrush between the bristles.**
2. **A toothbrush as claimed in Claim 1 where the stem and head section can be attached to any pump action toothpaste dispenser by way of screw or clip.**
3. **A toothbrush as claimed in any preceding claim comprising of plastic**
4. **A toothbrush substantially as herein described and illustrated in the accompanying drawings.**
5. **An example of a modified toothpaste dispenser, which would be required to work in conjunction with the toothbrush Fig. 1.**



Application No: GB 0215011.8  
 Claims searched: 1 - 4

Examiner: Philip J Roe  
 Date of search: 3 September 2002

**Patents Act 1977  
 Search Report under Section 17**

**Databases searched:**

UK Patent Office collections, including GB, EP, WO & US patent specifications, in:  
 UK CI (Ed.T): A4K KBA  
 Int CI (Ed.7): A46B 11/00, 11/02  
 Other: Online: EPODOC, EPI, JAPIO

**Documents considered to be relevant:**

Category	Identity of document and relevant passage	Relevant to claims
X	GB 2284982 A (MILLIGAN) Whole document	1 - 3
X	GB 2070922 A (LINGER & FISCHER GmbH) Whole document	1 - 3
X	GB 2172796A (JACKSON & JACKSON) Whole document	1 - 3
X	GB 2201887 A (GOOLD) Whole document	1 - 3
X	US 4288169 (McMENAMIN) Whole document	1 - 3
X	WO 99/23911 (GIELEN <i>et al</i> ) Whole document	1 - 3

X	Document indicating lack of novelty or inventive step	A	Document indicating technological background and/or state of the art.
Y	Document indicating lack of inventive step if combined with one or more other documents of same category.	P	Document published on or after the declared priority date but before the filing date of this invention.
&	Member of the same patent family	E	Patent document published on or after, but with priority date earlier than, the filing date of this application.